

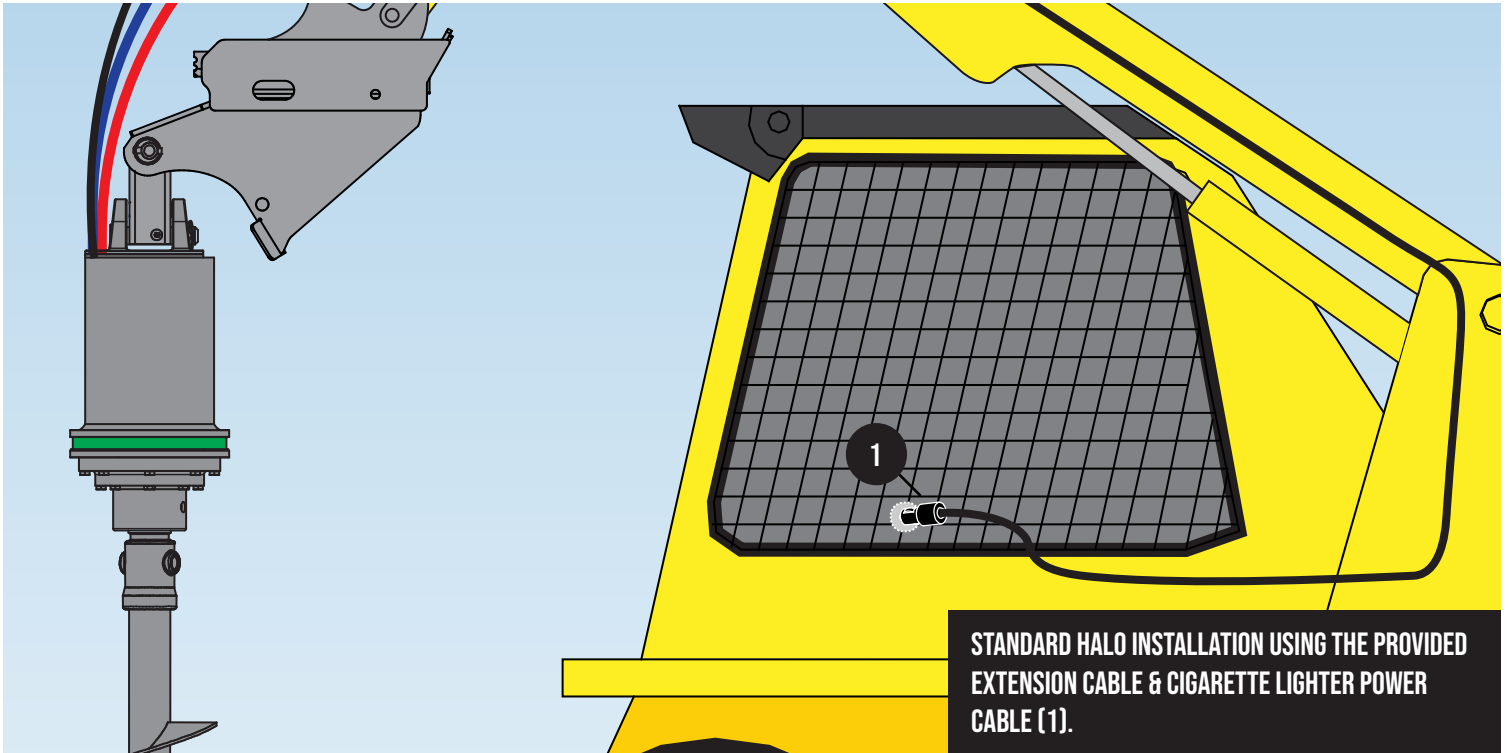
STANDARD KIT INCLUSIONS

HALO DEPENDING ON YOUR MACHINE, AN EXTENSION CABLE MAY BE REQUIRED

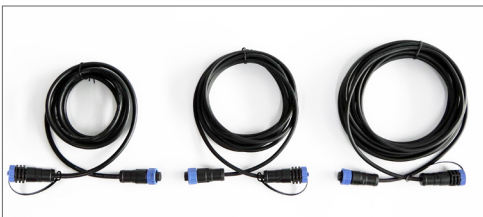


CABLES

- 3 METRE EXTENSION CABLE
- IN-CAB 12V CIGARETTE LIGHTER WITH 200MM CABLE



OPTIONAL EXTRAS - CAB POWERED



CABLES

- 1 METRE HALO EXTENSION CABLE
- 3 METRE HALO EXTENSION CABLE
- 6 METRE HALO EXTENSION CABLE

- EC-001292
- EC-001293
- EC-001294

OPTIONAL EXTRAS - BATTERY



BATTERY KIT

MAGNETIC BATTERY

1 METRE EXTENSION CABLE

USB CHARGING CABLE

EC-001301

ADDITIONAL MAGNETIC BATTERY

EC-001288



CHARGER

USB CHARGING CABLE

EC-001290



CABLES

1 METRE EXTENSION CABLE

3 METRE EXTENSION CABLE

6 METRE EXTENSION CABLE

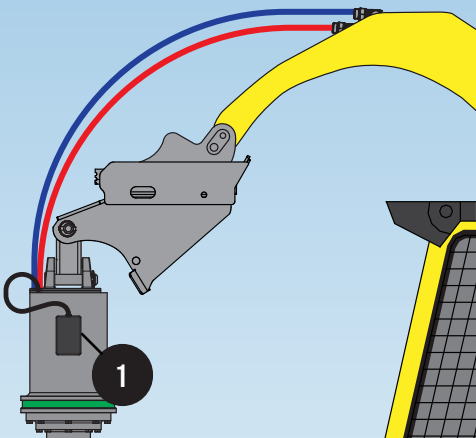
EC-001292

EC-001293

EC-001294

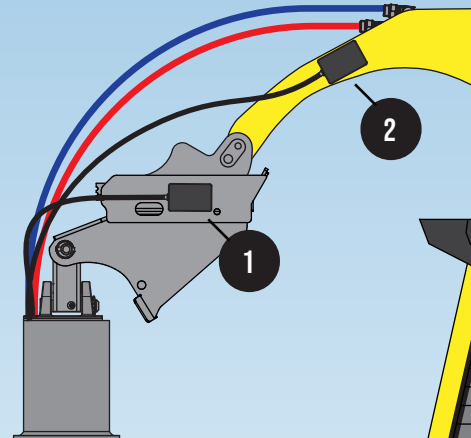
BATTERY MOUNTING OPTIONS

(1) NO EXTENSION CABLES REQUIRED.



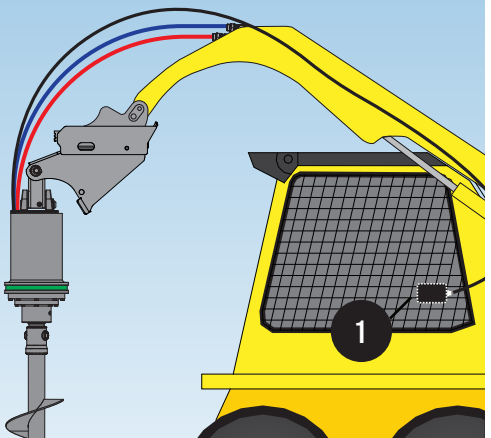
MAGNETISED BATTERY PACK IS MOUNTED ON THE DRIVE UNIT HOOD (1).

(1) REQUIRES 1M CABLE.
(2) MAY REQUIRE ADDITIONAL CABLES.



MAGNETISED BATTERY PACK CAN BE MOUNTED ON THE FRAME (1), OR MACHINE BOOM (2).

(1) MAY REQUIRE ADDITIONAL CABLES.



MAGNETISED BATTERY PACK MAY BE PLACED IN-CAB (1) USING THE INCLUDED 3M CABLE TO MAKE USE OF THE 'ZERO-IN' FUNCTION.